



D'Crypt TelePort

TelePort is a novel network security product designed fully in-house by D'Crypt Pte Ltd. It offers a highly secure and efficient way to connect telecommuters, branch offices, partners and suppliers back to the corporate network over the Internet, thereby bringing a host of business benefits. A usual TelePort implementation consists of a TelePort concentrator and a varying number of TelePort clients.

Key features

Virtual link encryptor TelePort provides a **virtual wire** over the Internet mesh so as to connect a terminal securely to the corporate network. The terminal appears connected to the corporate network as though it is physically located in the corporate office. This allows for homogeneous network administration, thus improving efficiency and productivity. Remote terminals are subjected to the same security controls in the corporate network, effectively eliminating security risks brought about by delayed upgrades or obscure loopholes in remote networks.

Ease of deployment TelePort is a pure-hardware solution. After a one-time configuration, simply attach it to the terminal and the terminal will be automatically connected to the corporate network! No messy software setups and maintenance.

Supports a wide variety of Internet protocols Ethernet traffic frames from the terminal is encrypted and transported back to the TelePort concentrator where the reverse takes place. Thus, TelePort is able to support ANY protocol that runs over Ethernet. Examples include TCP/IP, POP, HTTP, FTP, SMTP, SNMP, RIP, OSPF, DHCP, IPX, AppleTalk, and many others.

Platform independence All cryptographic/tunneling capabilities are implemented within the TelePort device. No special software installation is necessary on the terminal. Thus, terminals based on all popular operating systems, such as Microsoft Windows, Linux, Solaris, AIX, can use TelePort to connect to the corporate network.

Minimum change to existing network infrastructure TelePort is designed as a bump-in-the-wire solution. Just plug TelePort at appropriate points in the network and remote terminals will be able to connect to the corporate network securely. Minimal or no change to the network infrastructure is envisaged.

Security

Cryptographic core designed for FIPS 140-2 Level 3 certification

Secure storage of keys that are erased upon tamper detection
AES 128-bit encryption

Two-way challenge-response crypto handshake

Two-way heartbeat to disconnect tunnel upon inactivity

Performance

3 Mbps

Technical Specifications



TelePort Client

TelePort Clients	CLT-E1	CLT-M1	CLT-C1
Ports			
10Base-T LAN	✓	✓	✓
10Base-T WAN	✓	-	✓
RJ-11	-	✓	✓
USB 1.1	-	✓	✓
3-wire RS-232	✓	✓	✓
9-wire RS-232 (External modem support)	-	✓	✓
Indicators	6 LEDs (POWER, INET, TNL, LAN, WAN, MODEM)		
Supply	5V DC	USB	USB
Battery			
Type	CR2330		
Duration	1 year		
Environment			
Temperature	0 – 70°C		
Humidity	5 – 90% non-condensing		
Physical			
Dimensions (W x D x H)	103 mm x 92 mm x 27 mm		
Weight	230 g	240 g	250 g

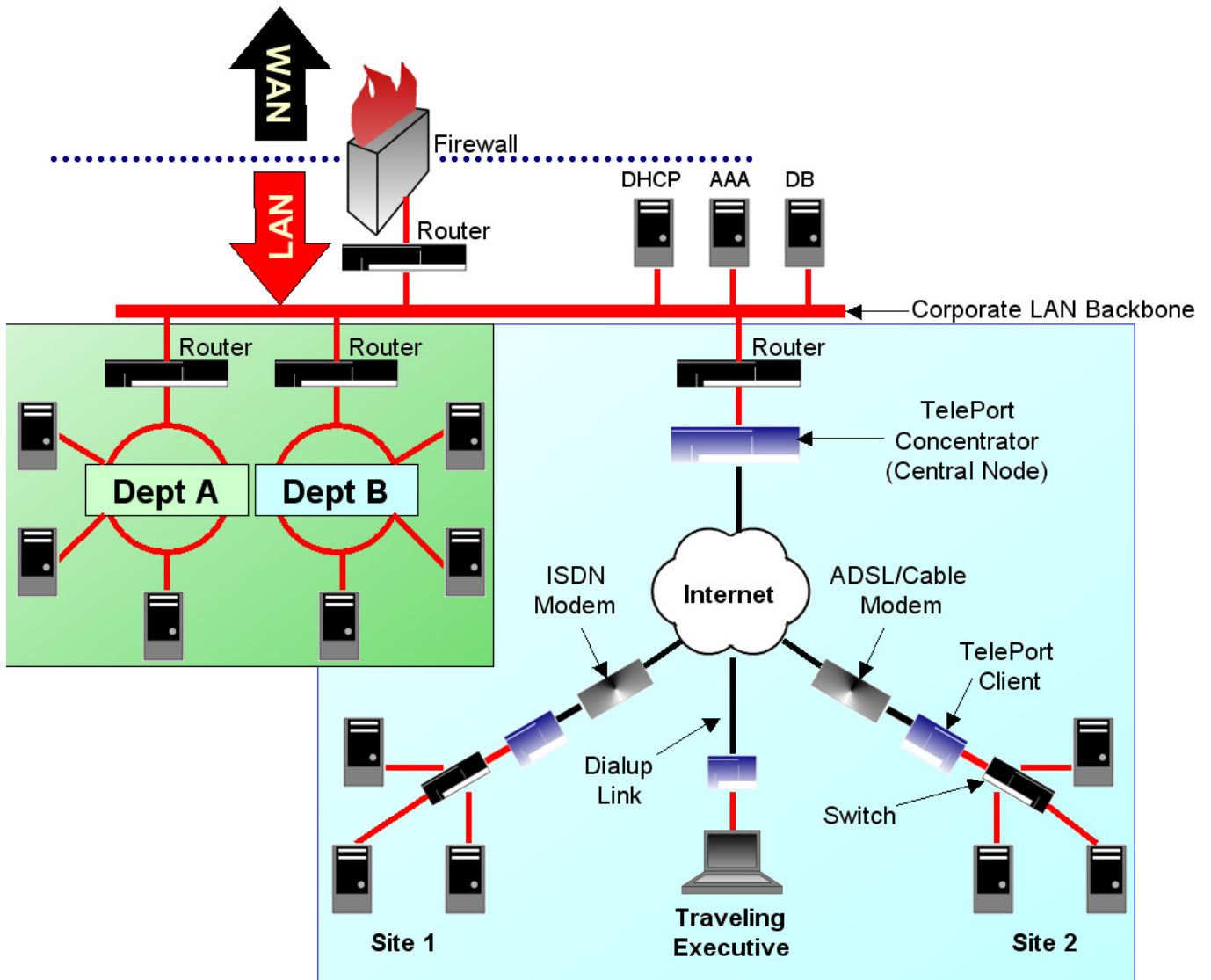


TelePort Concentrator

TelePort Concentrators	(1 or 2) x CON-E1-8	(1 or 2) x CON-E1-16	(1 or 2) x CON-E1-32
Ports			
10Base-T LAN	(1 or 2)		
10Base-T WAN	(1 or 2)		
3-wire RS-232	(1 or 2)		
Indicators	(1 or 2) x 4 LEDs (POWER, INET, LAN, WAN)		
Clients supported	(1 or 2) x 8	(1 or 2) x 16	(1 or 2) x 32
Supply	120-240 VAC		
Battery			
Type	CR2330		
Duration	1 year		
Environment			
Temperature	0 – 70°C		
Humidity	5 – 90% non-condensing		
Physical			
Dimensions (W x D x H)	482 mm x 83 mm x 44 mm		
Weight	800 g (max)		

Specifications subject to change without notice

Deployment Scenario



Another quality product by:

D'Crypt Pte Ltd

20 Ayer Rajah Crescent, #08-08, Singapore 139964.

DID: +65 6773 9016 FAX: +65 6873 0796

URL: <http://www.d-crypt.com>

EMAIL: teleport@d-crypt.com